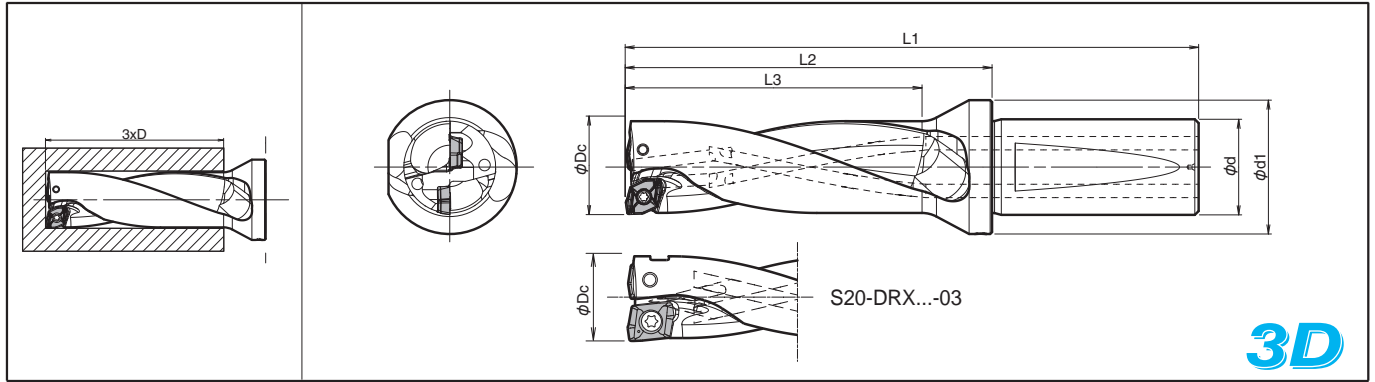


MagicDrill® DRX

DRX (Cutting Depth:3xD)



● Toolholder Dimensions

Description	Std.	No. of Insert	Dimension (mm)						Max. Offset (Radial) (mm)	Spare Parts		Applicable Inserts ● K24	
			øDc	L1	L2	L3	ød	ød1		Clamp Screw	Wrench		
S20 -DRX120M-3-03 -DRX125M-3-03 -DRX130M-3-03 -DRX135M-3-04 -DRX140M-3-04 -DRX145M-3-04 -DRX150M-3-04	●	2	12	100	57	36	20	27	+0.5 +0.4 +0.3	SB-2042TRG	DTM-6	Outer edge ZXMT030203○○-E Inner Edge ZXMT030203GM-I	
			12.5	102	59	37.5							
			13	103	60	39							
	-DRX155M-3-05 -DRX160M-3-05 -DRX165M-3-05 -DRX170M-3-05 -DRX175M-3-05 -DRX180M-3-05	●	2	13.5	105	62	40.5	20	27	+0.5 +0.4 +0.3 +0.2	SB-2042TRG	DTM-6	ZXMT040203○○
				14	106	63	42						
				14.5	108	65	43.5						
-DRX185M-3-06 -DRX190M-3-06 -DRX195M-3-06 -DRX200M-3-06 -DRX205M-3-06 -DRX210M-3-06 -DRX215M-3-06		●	2	15	109	66	45	25	32	+0.8 +0.7 +0.5 +0.4 +0.3 +0.2	SB-2045TR	DTM-6	ZXMT05T203○○
				15.5	124	70	46.5						
				16	126	71	48						
	-DRX220M-3-07 -DRX225M-3-07 -DRX230M-3-07 -DRX235M-3-07 -DRX240M-3-07 -DRX245M-3-07 -DRX250M-3-07 -DRX255M-3-07 -DRX260M-3-07	●	2	16.5	127	73	49.5	25	32	+0.9 +0.8 +0.7 +0.5 +0.4 +0.3 +0.2	SB-2250TR	DTM-7	ZXMT06T204○○
				17	129	74	51						
				17.5	130	76	52.5						
-DRX265M-3-09 -DRX270M-3-09 -DRX275M-3-09 -DRX280M-3-09 -DRX285M-3-09 -DRX290M-3-09 -DRX295M-3-09 -DRX300M-3-09 -DRX305M-3-09 -DRX310M-3-09 -DRX315M-3-09		●	2	18	132	77	54	25	32	+1.2 +1.0 +0.9 +0.8 +0.7 +0.5 +0.4 +0.3 +0.2	SB-2570TR	DTM-8	ZXMT070305○○
				18.5	131	77	55.5						
				19	132	78	57						
	-DRX320M-3-11 -DRX330M-3-11 -DRX340M-3-11 -DRX350M-3-11 -DRX360M-3-11 -DRX370M-3-11 -DRX380M-3-11	●	2	19.5	134	80	58.5	32	35	+1.7 +1.6 +1.5 +1.3 +1.2 +1.1 +1.1 +0.8 +0.7 +0.6 +0.5	SB-3080TR	DTM-10	ZXMT09T306○○
				20	135	81	60						
				20.5	137	83	61.5						
-DRX320M-3-11 -DRX330M-3-11 -DRX340M-3-11 -DRX350M-3-11 -DRX360M-3-11 -DRX370M-3-11 -DRX380M-3-11		●	2	21	138	84	63	42	42	+2.2 +1.9 +1.7 +1.4 +1.2 +0.9 +0.7	SB-4085TR	DTM-15	ZXMT11T306○○
				21.5	140	86	64.5						
				22	141	86	66						
	-DRX320M-3-11 -DRX330M-3-11 -DRX340M-3-11 -DRX350M-3-11 -DRX360M-3-11 -DRX370M-3-11 -DRX380M-3-11	●	2	22.5	142	88	67.5	32	45	+1.7 +1.6 +1.5 +1.3 +1.2 +1.1 +1.1 +0.8 +0.7 +0.6 +0.5	SB-3080TR	DTM-10	ZXMT09T306○○
				23	144	89	69						
				23.5	145	91	70.5						
-DRX320M-3-11 -DRX330M-3-11 -DRX340M-3-11 -DRX350M-3-11 -DRX360M-3-11 -DRX370M-3-11 -DRX380M-3-11		●	2	24	147	92	72	40	55	+1.7 +1.6 +1.5 +1.3 +1.2 +1.1 +1.1 +0.8 +0.7 +0.6 +0.5	SB-3080TR	DTM-10	ZXMT09T306○○
				24.5	148	94	73.5						
				25	150	95	75						
	-DRX320M-3-11 -DRX330M-3-11 -DRX340M-3-11 -DRX350M-3-11 -DRX360M-3-11 -DRX370M-3-11 -DRX380M-3-11	●	2	25.5	151	97	76.5	40	55	+2.2 +1.9 +1.7 +1.4 +1.2 +0.9 +0.7	SB-4085TR	DTM-15	ZXMT11T306○○
				26	153	98	78						
				26.5	161	102	79.5						
-DRX320M-3-11 -DRX330M-3-11 -DRX340M-3-11 -DRX350M-3-11 -DRX360M-3-11 -DRX370M-3-11 -DRX380M-3-11		●	2	27	163	103	81	42	42	+1.7 +1.6 +1.5 +1.3 +1.2 +1.1 +1.1 +0.8 +0.7 +0.6 +0.5	SB-3080TR	DTM-10	ZXMT09T306○○
				27.5	164	105	82.5						
				28	166	106	84						
	-DRX320M-3-11 -DRX330M-3-11 -DRX340M-3-11 -DRX350M-3-11 -DRX360M-3-11 -DRX370M-3-11 -DRX380M-3-11	●	2	28.5	167	108	85.5	32	45	+1.7 +1.6 +1.5 +1.3 +1.2 +1.1 +1.1 +0.8 +0.7 +0.6 +0.5	SB-3080TR	DTM-10	ZXMT09T306○○
				29	169	109	87						
				29.5	170	111	88.5						
-DRX320M-3-11 -DRX330M-3-11 -DRX340M-3-11 -DRX350M-3-11 -DRX360M-3-11 -DRX370M-3-11 -DRX380M-3-11		●	2	30	172	112	90	40	55	+1.7 +1.6 +1.5 +1.3 +1.2 +1.1 +1.1 +0.8 +0.7 +0.6 +0.5	SB-3080TR	DTM-10	ZXMT09T306○○
				30.5	173	114	91.5						
				31	175	115	93						
	-DRX320M-3-11 -DRX330M-3-11 -DRX340M-3-11 -DRX350M-3-11 -DRX360M-3-11 -DRX370M-3-11 -DRX380M-3-11	●	2	31.5	176	117	94.5	40	55	+1.7 +1.6 +1.5 +1.3 +1.2 +1.1 +1.1 +0.8 +0.7 +0.6 +0.5	SB-3080TR	DTM-10	ZXMT09T306○○
				32	201	132	96						
				33	204	135	99						
-DRX320M-3-11 -DRX330M-3-11 -DRX340M-3-11 -DRX350M-3-11 -DRX360M-3-11 -DRX370M-3-11 -DRX380M-3-11		●	2	34	207	138	102	40	55	+1.7 +1.6 +1.5 +1.3 +1.2 +1.1 +1.1 +0.8 +0.7 +0.6 +0.5	SB-3080TR	DTM-10	ZXMT09T306○○
				35	210	141	105						
				36	213	144	108						
	-DRX320M-3-11 -DRX330M-3-11 -DRX340M-3-11 -DRX350M-3-11 -DRX360M-3-11 -DRX370M-3-11 -DRX380M-3-11	●	2	37	216	147	111	40	55	+1.7 +1.6 +1.5 +1.3 +1.2 +1.1 +1.1 +0.8 +0.7 +0.6 +0.5	SB-3080TR	DTM-10	ZXMT09T306○○
				38	219	150	114						
				38	219	150	114						

• When offset machining, reduce feed rate to 0.08mm/rev. or less.
• See K35 for Adjustable Sleeve (SHE type).

For recommended cutting conditions, see page ● K34
For trouble shooting, see page ● K33

● : Std. Item