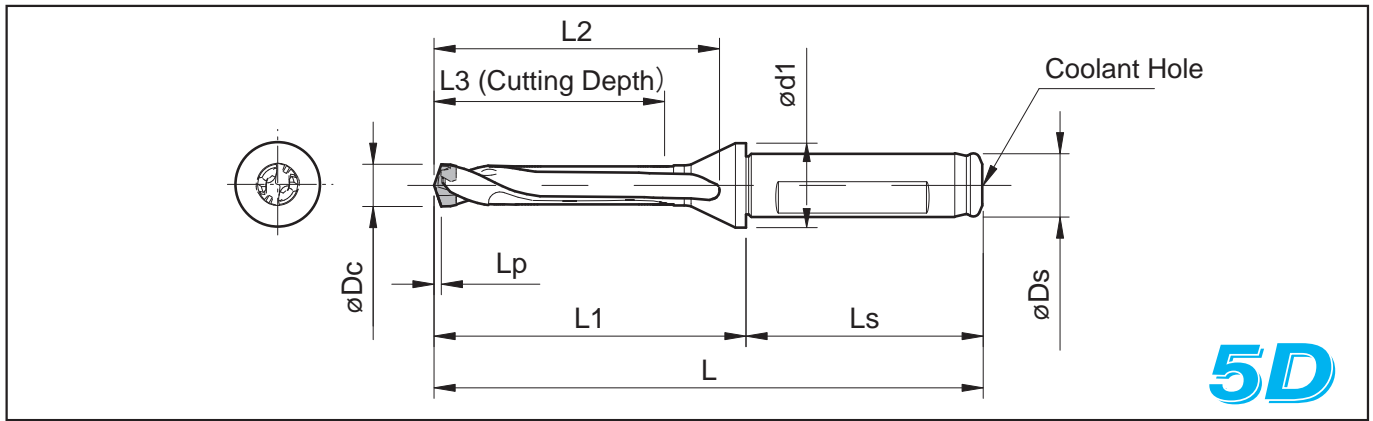


SF-DRC (Cutting Depth: 5xD)



· For Lp, indicates distance from drill point to corner edge, see **K4-K6**

Toolholder Dimension

Description	Std.	Dimensions (mm)									Spare Parts		Applicable Inserts K4-K6
		Applicable Insert Dia. øDc		øDs (h6)	L	L1	L2	L3	Ls	ød1	Wrench see K15		
		min.	max.										
SF12- DRC080M-5	●	7.94	8.49	12	104	59	53	43	45	16	WDR8 (WDR17)	DC0794M-SC-DC0840M-SC	
	●	8.50	8.99		107	62	56	45				DC0850M-SC-DC0890M-SC	
	●	9.00	9.49		110	65	59	48				DC0900M-SC-DC0940M-SC	
	●	9.50	9.99		114	69	63	50				DC0950M-SC-DC0990M-SC	
SF16- DRC100M-5	●	10.00	10.49	16	120	72	66	53	48	20	WDR10 (WDR17)	DC1000M-SC-DC1040M-SC	
	●	10.50	10.99		123	75	69	55				DC1050M-SC-DC1090M-SC	
	●	11.00	11.49		126	78	72	58				DC1100M-SC-DC1140M-SC	
	●	11.50	11.99		129	81	75	60				DC1150M-SC-DC1190M-SC	
	●	12.00	12.49		132	84	78	63			WDR12 (WDR17)	DC1200M-SC-DC1240M-SC	
	●	12.50	12.99		135	87	81	65				DC1250M-SC-DC1290M-SC	
	●	13.00	13.49		138	90	84	68				DC1300M-SC-DC1340M-SC	
	●	13.50	13.99		142	94	88	70				DC1350M-SC-DC1390M-SC	
	●	14.00	14.49		145	97	91	73				WDR14 (WDR17)	DC1400M-SC-DC1440M-SC
	●	14.50	14.99		148	100	94	75					DC1450M-SC-DC1490M-SC
SF20- DRC150M-5	●	15.00	15.99	20	156	106	100	80	50	25	WDR14 (WDR17)	DC1500M-SC-DC1580M-SC	
	●	16.00	16.99		162	112	106	85				DC1600M-SC-DC1690M-SC	
	●	17.00	17.99		169	119	113	90				DC1700M-SC-DC1790M-SC	
SF25- DRC180M-5	●	18.00	18.99	25	181	125	119	95	56	32	WDR17	DC1800M-SC-DC1890M-SC	
	●	19.00	19.99		187	131	125	100				DC1900M-SC-DC1990M-SC	
	●	20.00	20.99		193	137	131	105				DC2000M-SC-DC2099M-SC	
	●	21.00	21.99		200	144	138	110				DC2100M-SC-DC2150M-SC	
	●	22.00	22.99		206	150	144	115				DC2200M-SC-DC2250M-SC	
	●	23.00	23.99		212	156	150	120				DC2300M-SC-DC2350M-SC	
	●	24.00	24.99		218	162	156	125				DC2400M-SC-DC2450M-SC	
	●	25.00	25.50		225	169	163	130				DC2500M-SC-DC2550M-SC	

● : Std. Item

