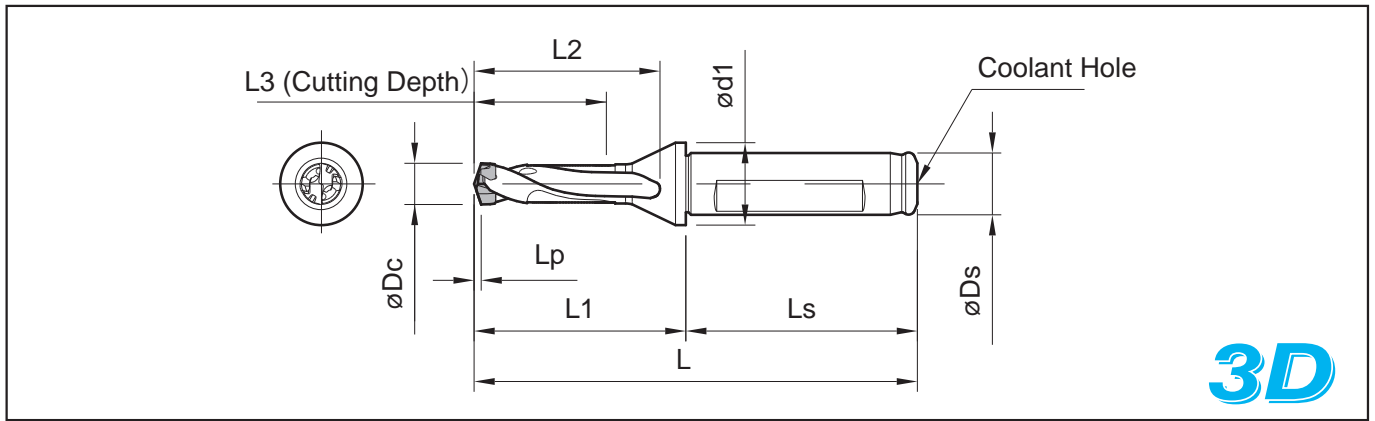


SF-DRC (Cutting Depth: 3xD)



· For Lp, indicates distance from drill point to corner edge, see [K4-K6](#)

● Toolholder Dimension

Description	Std.	Dimensions (mm)									Spare Parts	Applicable Inserts ● K4-K6	
		Applicable Insert Dia. øDc		øDs (h6)	L	L1	L2	L3	Ls	ød1			
		min.	max.										
SF12- DRC080M-3	●	7.94	8.49	12	86	41	35	26	45	16	WDR8 (WDR17)	DC0794M-SC-DC0840M-SC	
	●	8.50	8.99		88	43	37	27				DC0850M-SC-DC0890M-SC	
	●	9.00	9.49		90	45	39	29				DC0900M-SC-DC0940M-SC	
	●	9.50	9.99		92	47	41	30				DC0950M-SC-DC0990M-SC	
SF16- DRC100M-3	●	10.00	10.49	16	97	49	43	32	48	20	WDR10 (WDR17)	DC1000M-SC-DC1040M-SC	
	●	10.50	10.99		99	51	45	33				DC1050M-SC-DC1090M-SC	
	●	11.00	11.49		101	53	47	35				DC1100M-SC-DC1140M-SC	
	●	11.50	11.99		103	55	49	36				DC1150M-SC-DC1190M-SC	
	●	12.00	12.49		106	58	52	38			WDR12 (WDR17)	DC1200M-SC-DC1240M-SC	
	●	12.50	12.99		108	60	54	39				DC1250M-SC-DC1290M-SC	
	●	13.00	13.49		110	62	56	41				DC1300M-SC-DC1340M-SC	
	●	13.50	13.99		112	64	58	42				DC1350M-SC-DC1390M-SC	
	●	14.00	14.49		114	66	60	44				WDR14 (WDR17)	DC1400M-SC-DC1440M-SC
	●	14.50	14.99		116	68	62	45					DC1450M-SC-DC1490M-SC
SF20- DRC150M-3	●	15.00	15.99	20	122	72	66	48	50	25	WDR14 (WDR17)	DC1500M-SC-DC1580M-SC	
	●	16.00	16.99		126	76	70	51				DC1600M-SC-DC1690M-SC	
	●	17.00	17.99		131	81	75	54				DC1700M-SC-DC1790M-SC	
SF25- DRC180M-3	●	18.00	18.99	25	141	85	79	57	56	32	WDR17	DC1800M-SC-DC1890M-SC	
	●	19.00	19.99		145	89	83	60				DC1900M-SC-DC1990M-SC	
	●	20.00	20.99		149	93	87	63				DC2000M-SC-DC2099M-SC	
	●	21.00	21.99		153	97	91	66				DC2100M-SC-DC2150M-SC	
	●	22.00	22.99		158	102	96	69				DC2200M-SC-DC2250M-SC	
	●	23.00	23.99		162	106	100	72				DC2300M-SC-DC2350M-SC	
	●	24.00	24.99		166	110	104	75				DC2400M-SC-DC2450M-SC	
	●	25.00	25.50		170	114	108	78				DC2500M-SC-DC2550M-SC	

● : Std. Item □ : Check Availability

