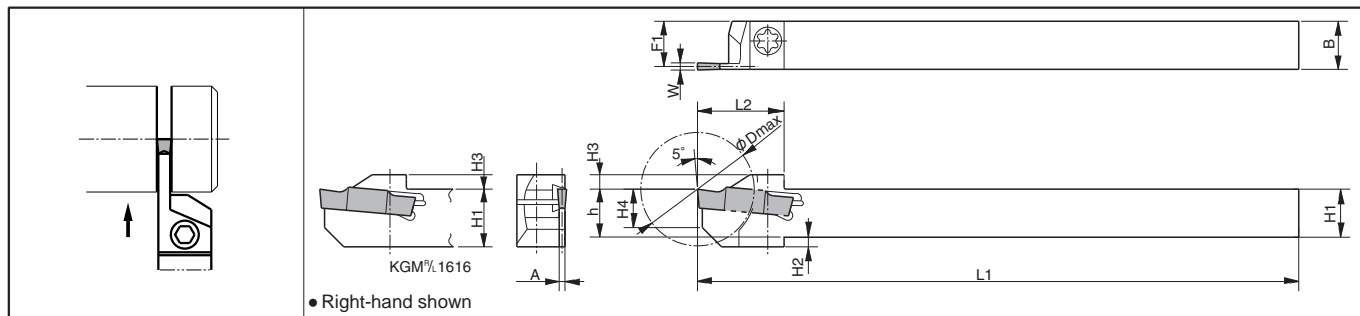


# Cut-Off Toolholders

## KGM (For automatic lathe)

Edge Width: 1.5~4.0mm

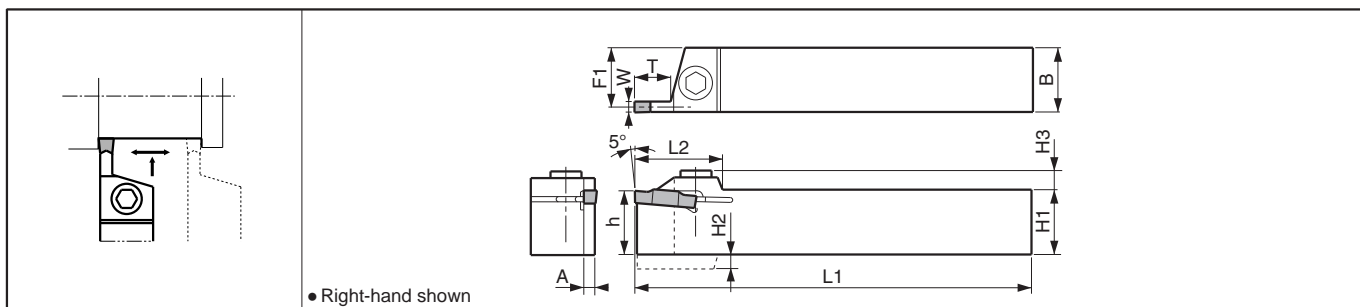


### Toolholder Dimensions

Description	Std.		Cutting Dia. øDmax	Dimension (mm)									Width W (mm)		Spare Parts	
	R	L		H1=h	H2	H3	H4	B	L1	L2	F1	A	MIN.	MAX.	Screw	Wrench
	<b>KGM<sup>®/L</sup> 1010JX-1.5</b>	●	●	20	10	2	3	8	10	120	18	9.4	1.2	1.5	2.0	SE-40120TR
<b>1212JX-1.5</b>	●	●	25	12	2	4	10	12	120	20.5	11.4	1.2	1.5	2.0	SE-40120TR	LTW-15S
<b>KGM<sup>®/L</sup> 1010JX-2</b>	●	●	20	10	2	3	8	10	120	18	9.15	1.7	2.0	3.0	SE-40120TR	LTW-15S
<b>1212JX-2</b>	●	●	25	12	2	4	10	12	120	19	11.15	1.7	2.0	3.0	SE-40120TR	LTW-15S
<b>1616JX-2</b>	●	●	32	16	-	4	9	16	120	24.5	15.15	2.4	3.0	3.0	SE-50125TR	LTW-20
<b>KGM<sup>®/L</sup> 1010JX-2.5</b>	●	●	20	10	2	3	8	10	120	18	9	2.0	2.4	3.0	SE-40120TR	LTW-15S
<b>1212JX-2.5</b>	●	●	25	12	2	4	10	12	120	20.5	11	2.0	2.4	3.0	SE-40120TR	LTW-15S
<b>1616JX-2.5</b>	●	●	32	16	-	4	9	16	120	25.5	15	2.4	3.0	3.0	SE-50125TR	LTW-20
<b>KGM<sup>®/L</sup> 1616JX-3</b>	●	●	32	16	-	4	9	16	120	25.5	14.8	2.4	3.0	4.0	SE-50125TR	LTW-20
<b>KGM<sup>®/L</sup> 1212F-1.5-85</b>	●	●	25	12	2	4	10	12	85	19	11.4	1.2	1.5	2.0	SE-40120TR	LTW-15S
<b>KGM<sup>®/L</sup> 1212F-2-85</b>	●	●	25	12	2	4	10	12	85	19	11.15	1.7	2.0	3.0	SE-40120TR	LTW-15S
<b>KGM<sup>®/L</sup> 1212F-2.5-85</b>	●	●	25	12	2	4	10	12	85	19	11	2.0	2.4	3.0	SE-40120TR	LTW-15S

## KGM

Width: 3.0~8.0mm



### Toolholder Dimensions

Description	Std.		Dimension (mm)										Width W (mm)		Spare Parts			
	R	L	H1=h	H2	H3	B	L1	L2	F1	A	T	MIN.	MAX.	Screw	Screw	Wrench	Wrench	
	<b>KGM<sup>®/L</sup> 1212H-3</b>	●	●	12	4	6	12	100		10.8			3.0	3.0	SB-5TR	-	LTW-20	-
<b>1616H-3</b>	●	●	16		7	16	100		14.8			3.0	4.0	-	HH5X16	-	LW-4	
<b>2020K-3</b>	●	●	20		7	20	125	27	18.8	2.4	9	3.0	4.0	-	HH5X25	-	LW-4	
<b>2525M-3</b>	●	●	25		7	25	150		23.8			3.0	4.0	-	HH5X25	-	LW-4	
<b>2020K-4</b>	●	●	20		7	20	125	27	18.3	3.4	10	4.0	5.0	-	HH5X16	-	LW-4	
<b>2525M-4</b>	●	●	25		7	25	150	27	23.3	3.4	10	4.0	5.0	-	HH5X25	-	LW-4	
<b>2020K-5</b>	●	●	20		7	20	125		17.8			5.0	6.0	-	HH5X16	-	LW-4	
<b>2525M-5</b>	●	●	25		7	25	150	27	22.8	4.4	10	5.0	6.0	-	HH5X25	-	LW-4	
<b>3232P-5</b>	●	●	32			32	170		29.8			5.0	6.0	-	HH5X25	-	LW-4	
<b>2525M-8</b>	●	●	25	7.5		25	150		22.0			8.0	8.0	-	HH6X25	-	LW-5	
<b>3232P-8</b>	●	●	32		10.5	32	170	40	29.0	6.0	25	8.0	8.0	-	HH6X25	-	LW-5	

• Dimension T shows the distance from the Toolholder to the cutting edge.

• 4.0mm width Insert can be installed in KGM%1212H-3, but is not recommended due to the toolholder's rigidity.

● : Std. Item □ : Check Availability