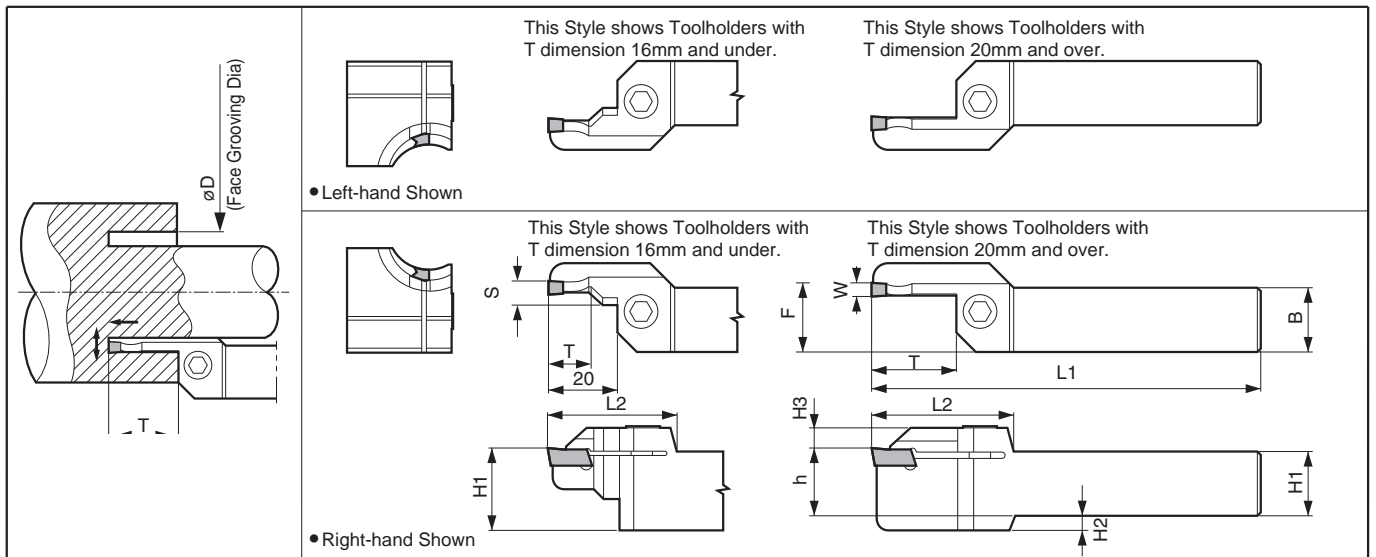


Face Grooving Toolholders

KFMS



Toolholder Dimensions

Description	Std.		Dimension (mm)										Width (mm)	Face Grooving Dia. øD		Spare Parts					
	R	L	H1-h	H2	H3	B	L1	L2	F	S	T	W		MIN.	MAX.	Screw	Wrench				
KFMS ^{R/L} 2020K2530-3 2020K3040-3 2020K4050-3 2020K5065-3 2020K6585-3 2020K85110-3 2020K110145-3 2525M2530-3 2525M3040-3 2525M4050-3 2525M5065-3 2525M6585-3 2525M85110-3 2525M110145-3	●															25	30	HH5X20	LW-4		
	●							39		6.1	13					30	40				
	●															40	50				
	●		20		10	20	125	41	20.7		22					50	65				
	●															65	85				
	●			5				44			25					85	110				
	●															110	145				
	●	●								6.1	13					25	30				
	●	●						39								30	40				
	●	●														40	50				
	●	●	25		10	25	150	41	25.7		22					50	65				
	●	●														65	85				
	●	●						44			25					85	110				
	●	●														110	145				
KFMS ^{R/L} 2020K2535-4 2020K3550-4 2020K5070-4 2020K70100-4 2020K100150-4 2020K150220-4 2020K220800-4 2525M2535-4 2525M3550-4 2525M5070-4 2525M70100-4 2525M100150-4 2525M150220-4 2525M220800-4	●															25	35	HH5X20	LW-4		
	●							39		7.1	12					35	50				
	●										20					50	70				
	●		20		10	20	125		20.7							70	100				
	●							44			25					100	150				
	●			5												150	220				
	●															220	∞				
	●	●								7.1	12					25	35				
	●	●						39			20					35	50				
	●	●														50	70				
	●	●	25		10	25	150		25.7							70	100				
	●	●						44			25					100	150				
	●	●														150	220				
	●	●														220	∞				

● : Std. Item □ : Check Availability