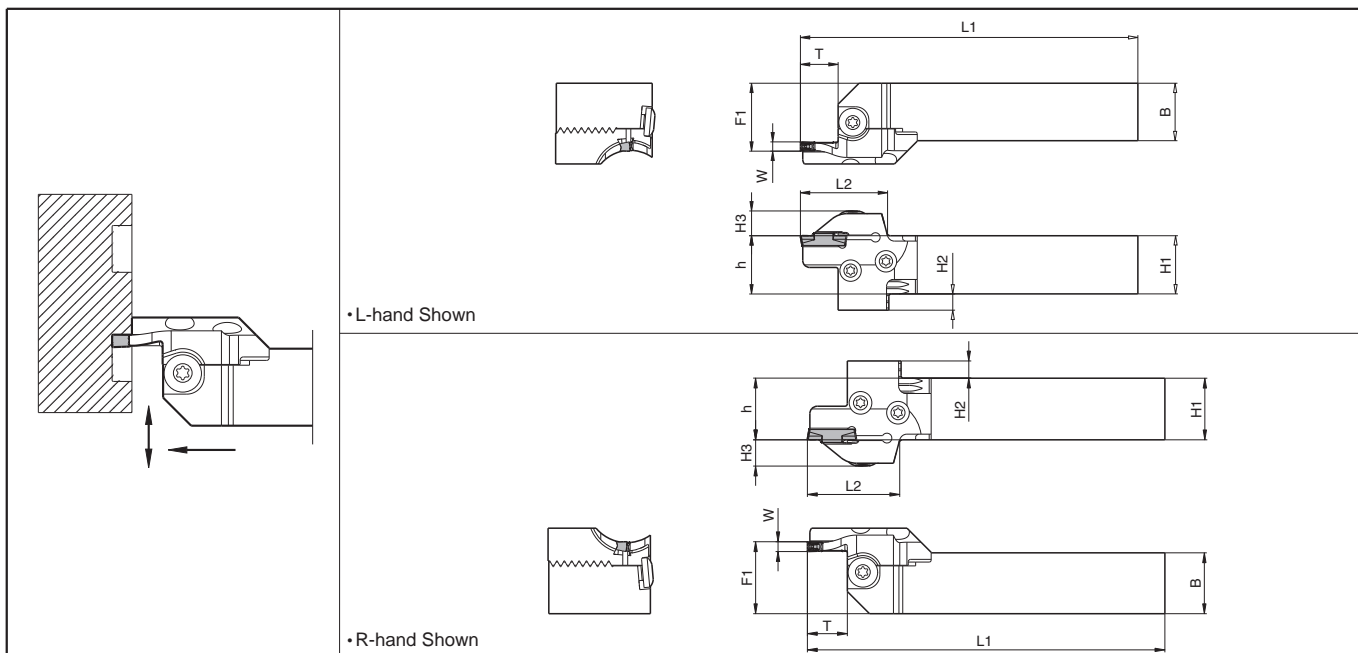


Face Grooving Toolholders (Separate type)

KGDF



Toolholder Dimensions

Angle	Width (mm)	Max. depth of cut (mm)	Unit Description	Std.		Toolholder Description G28	Blade Description G73	Dimension (mm)								Width (mm)	Face Grooving Dia. øD(mm)	
				R	L			H1=h	H2	H3	B	L1	L2	F1	T		W	MIN.
0°	3	13	KGDF ^{R/L} 2020X25-3AS	●	●	KGD ^{R/L} 2020-C	KGDF ^{R/L} -25-3A-C	20	12	11.6	20	118	36	24.2	13	3	25	30
			2020X30-3AS	●	●		-30-3A-C										30	40
		2020X40-3AS	●	●	-40-3A-C		40					50						
		2020X50-3BS	●	●	-50-3B-C		50					65						
		2020X65-3BS	●	●	-65-3B-C		65					85						
		2020X85-3BS	●	●	-85-3B-C		85					110						
		2020X110-3BS	●	●	-110-3B-C		110					145						
		2020X50-3CS	●	●	-50-3C-C		50					65						
		2020X65-3CS	●	●	-65-3C-C		65					85						
		2020X85-3CS	●	●	-85-3C-C		85					110						
	2020X110-3CS	●	●	-110-3C-C	110	145												
	15	13	KGDF ^{R/L} 2525X25-3AS	●	●	KGD ^{R/L} 2525-C	KGDF ^{R/L} -25-3A-C	25	7	11.6	25	143	36	29.2	13	3	25	30
			2525X30-3AS	●	●		-30-3A-C										30	40
		2525X40-3AS	●	●	-40-3A-C		40					50						
		2525X50-3BS	●	●	-50-3B-C		50					65						
		2525X65-3BS	●	●	-65-3B-C		65					85						
		2525X85-3BS	●	●	-85-3B-C		85					110						
		2525X110-3BS	●	●	-110-3B-C		110					145						
		2525X50-3CS	●	●	-50-3C-C		50					65						
		2525X65-3CS	●	●	-65-3C-C		65					85						
2525X85-3CS		●	●	-85-3C-C	85		110											
2525X110-3CS	●	●	-110-3C-C	110	145													

KGDF toolholder Assembly Identification

Unit Description (Unit Description is not printed.)	Toolholder (Toolholder Description is printed.)	Blade (Blade Description is printed.)
L-hand : KGDFL...S	R-hand : KGDR...-C	L-hand : KGDFL...-C
•L-hand Shown	•R-hand Shown	•L-hand Shown
R-hand : KGDFR...S	L-hand : KGDL...-C	R-hand : KGDFR...-C
•R-hand Shown	•L-hand Shown	•R-hand Shown

- R-hand Blade for R-hand Toolholder, L-hand Blade for L-hand Toolholder.
- The Unit Description is not printed on the product. It is printed on the box label.
- Combination of the toolholder and blade (both separately sold) can make up the corresponding assembly.
- The insert clamping bolt (BH6x10TR), blade fixing bolt (SB-60120TR) and wrench (LTW-25) which are included in the toolholder can be used.

● : Std. Item
□ : Check Availability