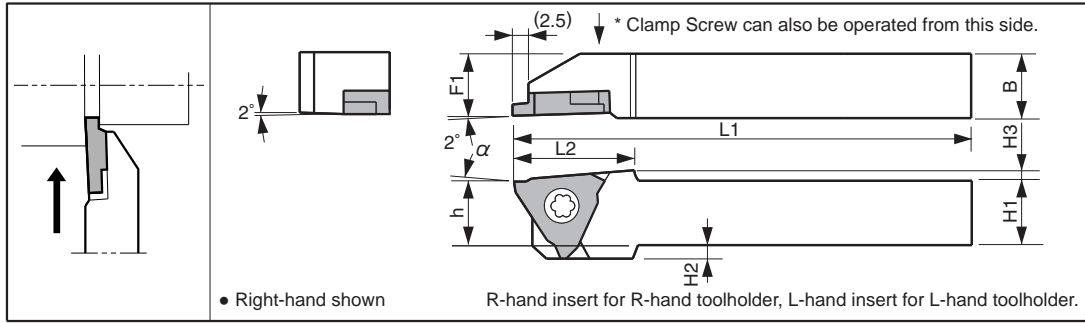
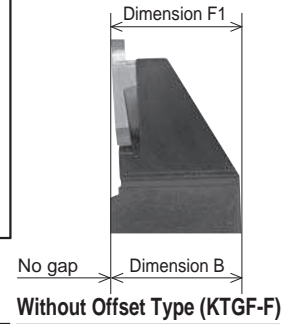


External Shallow Grooving Toolholders [for TGF Insert]

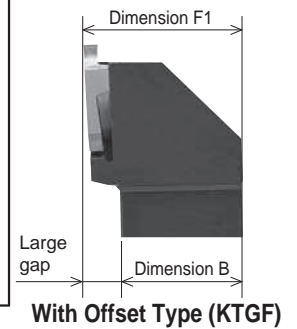
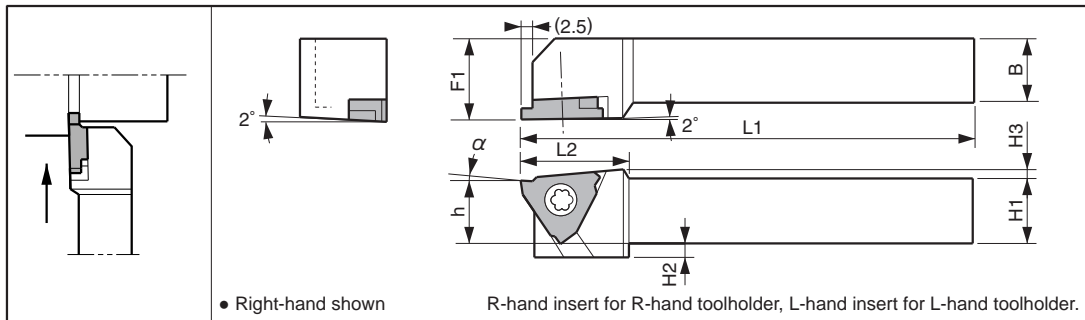
KTGF-F (Without Offset)



● Usage difference between KTGF-F and KTGF toolholders. It is necessary to use "Without Offset Type" in operating the automatic lathe.



KTGF (With Offset)

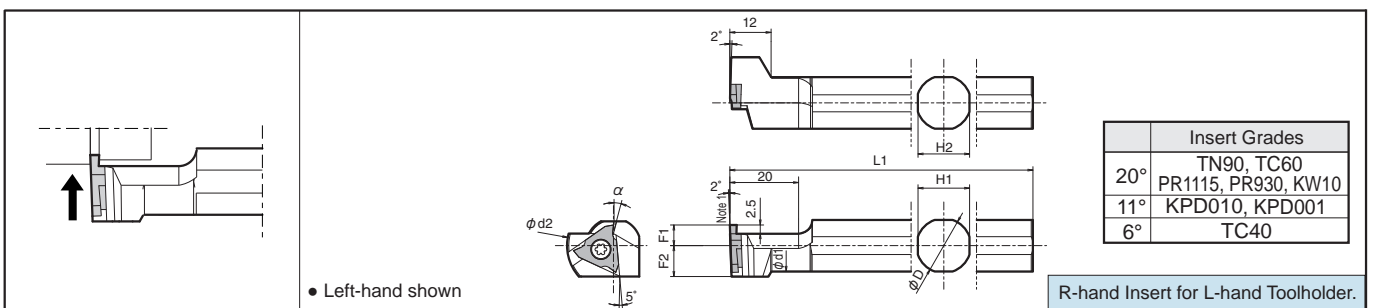


● Toolholder Dimensions

Description	Std.		Dimension (mm)							Spare Parts		Remarks			
	R	L	H1=h	H2	H3	B	L1	L2	F1	Clamp Screw	Wrench				
KTGF ^{R/L} 1010JX-16F 1212JX-16F 1616JX-16F	●	●	10	2	2.5	10	120	18.5	10	SB-4070TRW	FT-8				
	●	●	12	12											
	●	●	16	16											
KTGF ^{R/L} 1212F-16F	●	●	12	-	2.5	12	85	18.5	12	SB-4070TRW	FT-8				
	●	●	10	4	10	80	12								
	●	●	12	2	12	100	18.5	16							
KTGF ^{R/L} 1010F-16 1212H-16 1616H-16 2020K-16 2525M-16	●	●	10	4	2.5	10	125	20	25	SB-4070TRS	FT-10				
	●	●	12	2		12							100	18.5	16
	●	●	16	-		16							100	20	20
	●	●	20	-		20							125	20	25
●	●	25	-	25	150	20	32	32							

α	Insert Grades
20°	TN90, TC60 PR1115, PR930, KW10
11°	KPD010, KPD001
6°	TC40

S-KTGF (Sleeve Holder)



	Insert Grades
20°	TN90, TC60 PR1115, PR930, KW10
11°	KPD010, KPD001
6°	TC40

● Toolholder Dimensions

Note 1. Dimension B shows available grooving depth.

Description	Std.	Dimension (mm)							Spare Parts	
		øD	L1	F1	F2	ød1	ød2	H1=H2	Clamp Screw	Wrench
S12F-KTGFL16	●	12.0	80	6	9.0	11.0	27	11	SB-4070TRS	FT-10
S14H-KTGFL16	●	14.0	100							
S15F-KTGFL16	●	15.875	85							
S16F-KTGFL16	●	16.0	85							
S19G-KTGFL16	●	19.05	90							
S19K-KTGFL16	●	19.05	120							
S20G-KTGFL16	●	20.0	90							
S20K-KTGFL16	●	20.0	120							
S25.0H-KTGFL16	●	25.0	100	10	14.0	23.6	32	23		
S25K-KTGFL16	●	25.4	120							

● : Std. Item □ : Check Availability