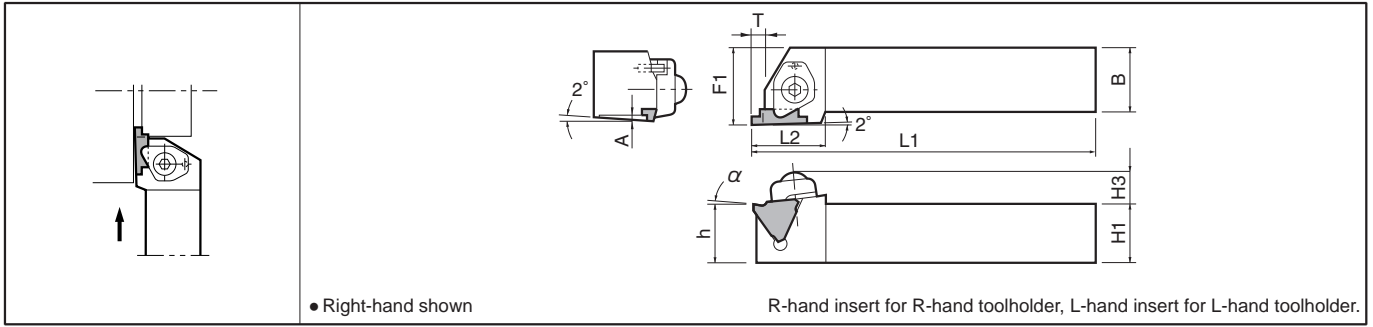
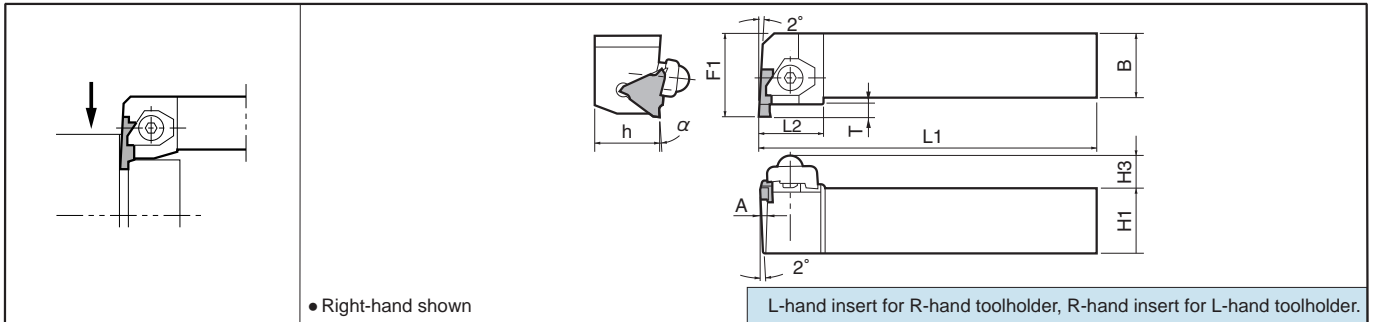


# External Shallow Grooving Toolholders [for GB / GBA Insert]

## KGB (Changes to KGBA G13)



## KGBS (Changes to KGBAS G13)



### Toolholder Dimensions

Description	Std.	Dimension (mm)									Spare Parts				Applicable Inserts G10~G12 G14
		R	L	H1=h	H3	B	L1	L2	F1	A	T	Clamp	Clamp Bolt	Spring	
<b>KGB<sup>R/L</sup></b> 2020K-16 2525M-16 2020K22-15 2525M22-15 2020K22-25 2525M22-25 2020K22-35 2525M22-35	<input type="checkbox"/>	<input type="checkbox"/>	20	11	20	125	24	25	-	2.5	CGB <sup>R/L</sup>	BH6X25	SP-6	LW-4	GB32 <sup>R/L</sup>
	<input type="checkbox"/>	<input type="checkbox"/>	25	11	25	150	25	30	-	2.5					GBA32 <sup>R/L</sup>
	<input type="checkbox"/>	<input type="checkbox"/>	20	11.5	20	125	25.5	25	1.0	4.0					GB43 <sup>R/L</sup>
	<input type="checkbox"/>	<input type="checkbox"/>	25	11.5	25	150	25.5	30	2.0	4.5					
	<input type="checkbox"/>	<input type="checkbox"/>	20	11.5	20	125	25.5	25	3.0	5.5					
	<input type="checkbox"/>	<input type="checkbox"/>	25	11.5	25	150	25.5	30	3.0	5.5					
<b>KGBS<sup>R/L</sup></b> 2020K-16 2525M-16 2020K22-15 2525M22-15 2020K22-25 2525M22-25 2020K22-35 2525M22-35	<input type="checkbox"/>	<input type="checkbox"/>	20	11	20	125	25	25	-	2.5	CGB <sup>R/L</sup>	BH6X25	SP-6	LW-4	GB32 <sup>L/R</sup>
	<input type="checkbox"/>	<input type="checkbox"/>	25	11	25	150	25	30	-	2.5					GBA32 <sup>L/R</sup>
	<input type="checkbox"/>	<input type="checkbox"/>	20	11.5	20	125	25	27	1.0	4.0					GB43 <sup>L/R</sup>
	<input type="checkbox"/>	<input type="checkbox"/>	25	11.5	25	150	25	32	2.0	4.5					
	<input type="checkbox"/>	<input type="checkbox"/>	20	11.5	20	125	25	27	3.0	5.5					
	<input type="checkbox"/>	<input type="checkbox"/>	25	11.5	25	150	25	32	3.0	5.5					

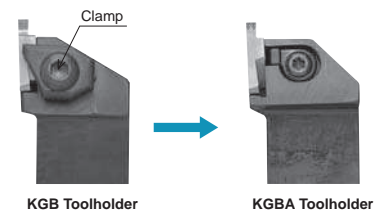
• Dimension T shows the distance from the Toolholder to the cutting edge. Dimension B shows available grooving depth.

Clamp: KGB<sup>R/L</sup> ... CGBR for Right-hand Toolholder, and CGBL for Left-hand Toolholder.

KGBS<sup>R/L</sup> ... CGBR for Right-hand Toolholder, and CGBL for Left-hand Toolholder.

### Rake Angle (α) after Installment of GBA

GB32 <sup>R/L</sup> ○○○○		GB43 <sup>R/L</sup> ○○○○		GBA43 <sup>R/L</sup> ○○○○ R (Full-R)	
α	Insert Grades	α	Insert Grades	α	Insert Grades
5°	TC60 PR630	5°	TC40 TC60 PR630 PR930	5°	TC60 PR630 } 050R~150R
20°	KW10	10°	KPD010	14°	TC60 PR630 } 200R
		20°	KW10		



\* KGB / KGBS toolholder changes to KGBA / KGBAS. Better Chip flow.

\* For applicable insert, GB insert changes to GBA. There are various types of GBA insert materials available depending on the user's cutting condition requirements.