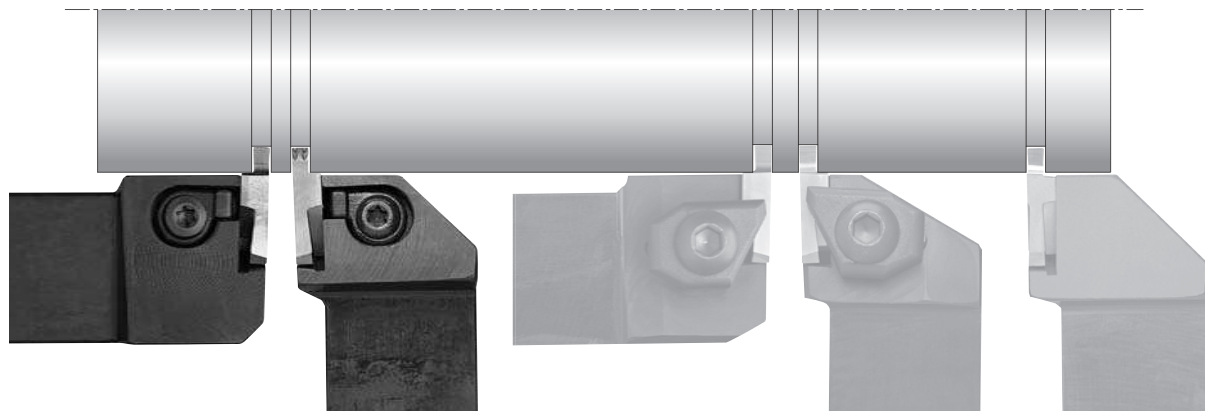


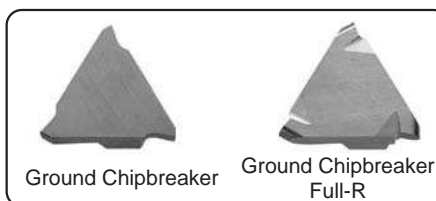
Summary of External Grooving

External Grooving (G10~G21)

Shallow Grooving (Grooving Depth: ~5mm)

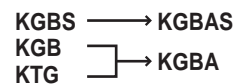


Type	KGBAS	KGBA	KGBS	KGB	KTG
Width (mm)	0.33~4.8	0.33~4.8	0.5~4.8	0.5~4.8	0.75~4.5
Grooving Depth (mm)	0.8~5.0	0.8~5.0	1.0~5.0	1.0~5.0	2.0~5.0
Ref. Page	G13	G13	G15	G15	G18

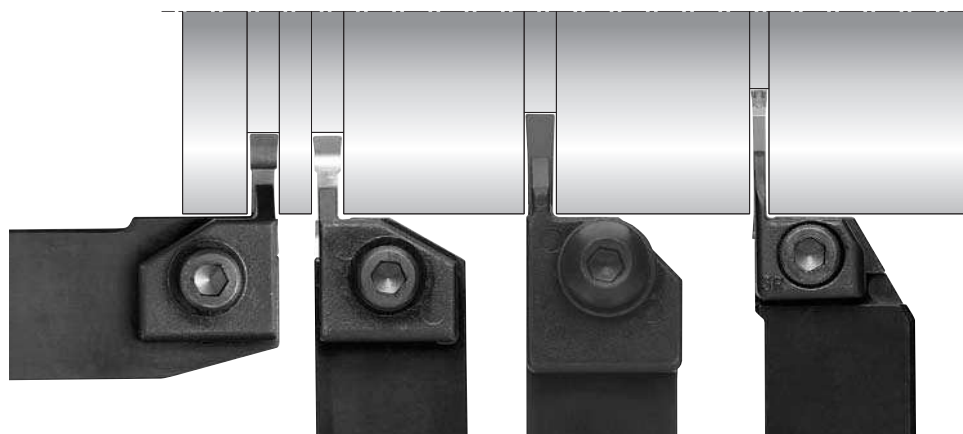


Edge Shape	General (Square)	Full-R (Round)	MY Chipbreaker

* These shallow groove types of the previous system will be switched to the system on the left.



Deep Grooving (Grooving Depth: ~25mm)



Type	KGHS	KGH	KN91	KGA
Width (mm)	4.0~8.0	4.0~12.0	4.0~8.0	3.0~5.0
Grooving Depth (mm)	13	13~17	15~17	20~25
Ref. Page	G20	G20	G19	G21

