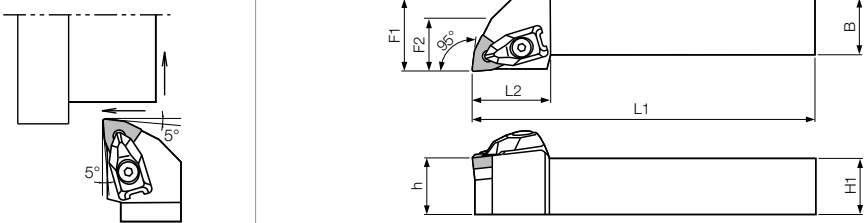


**DWLN** (External / Facing)



Side Rake Angle: -6°  
Angle of Inclination: -6°

● **Applicable Inserts**

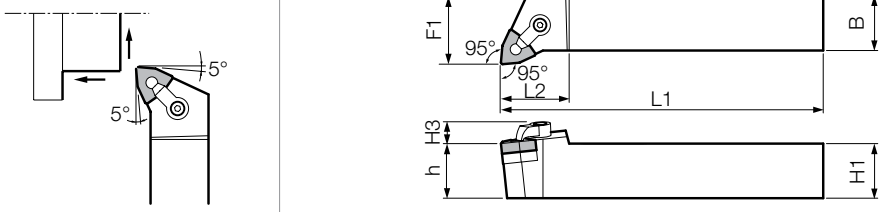
Toolholder	Insert	
DWLN%...12-3B	WN□G WN□M	
DWLN%...16-3D		33..
DWLN%...12-4B	WN□A WN□G WN□M	
DWLN%...16-4B		43..
DWLN%...-08		

• Right-hand shown

● **Toolholder Dimensions**

Part Number	Stock		Unit	Dimensions					Standard Corner-R(°)	Spare Parts							
	R	L		H1=h	B	L1	L2	F1		F2	Clamp	Screw	Spring	Shim	Shim Screw	Wrench	Wrench (sold separately)
DWLN% 12-3B	●	●	Inch	0.75	0.75	4.50	1.06	1.00	0.80	1/32							
16-3D	●	●		1.00	1.00	6.00	1.06	1.25	0.78		CP-2D	CS-2D	SP-2D	DW-32	SB-3080TR	LW-2.5	FT-10
DWLN% 12-4B	●	●		0.75	0.75	4.50	1.34	1.25	0.80		CP-3D	CS-3D	SP-3D	DW-44	SB-4085TR	LW-3	FT-15
16-4D	●	●		1.00	1.00	6.00	1.34	1.25	0.78								
DWLN% 2020K-08	○	○	mm	20	20	125	34	25	20	0.8							
2525M-08	○	○		25	25	150	34	32	20								

**MWLN** (External / Facing)



Side Rake Angle: -5°  
Angle of Inclination: -5°

● **Applicable Inserts**

Toolholder	Insert
MWLN%...-12-4B	WN□A WN□G WN□M
MWLN%...-16-4D	

• Right-hand shown

● **Toolholder Dimensions**

Part Number	Stock		Unit	Dimensions					Standard Corner-R(°)	Spare Parts							
	R	L		H1=h	H3	B	L1	L2		F1	Clamp	Clamp Screw	Wrench	Shim	Shim Screw	Lock Pin	Wrench
MWLN% 12-4B	●		inch	0.75	0.45	0.75	4.50	1.19	1.00	1/32							
16-4D	●	●		1.00	0.48	1.00	6.00	1.19	1.25		CL-20	XNS-48	LW-156	IWSN432	S-46	NL46	LW-094