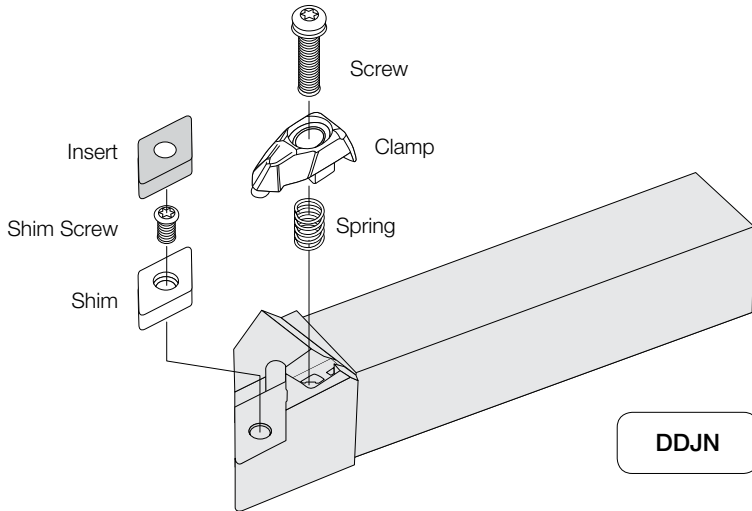
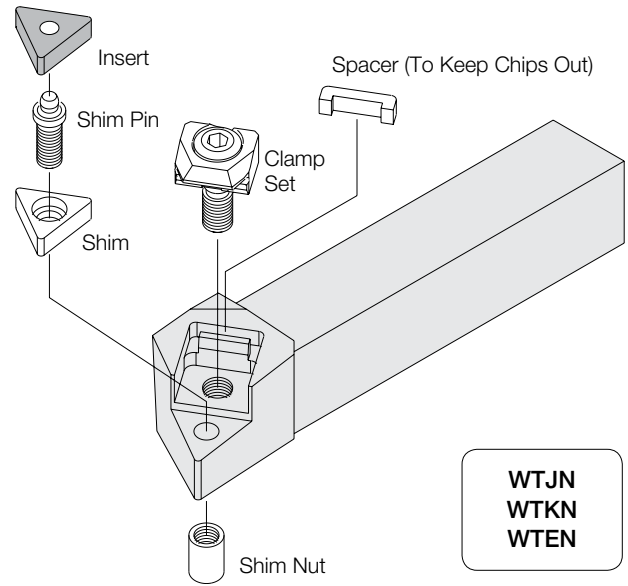
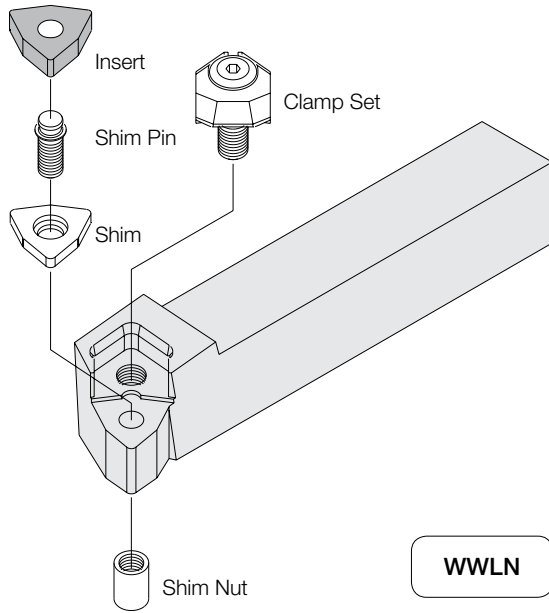


# CLAMPING SYSTEM

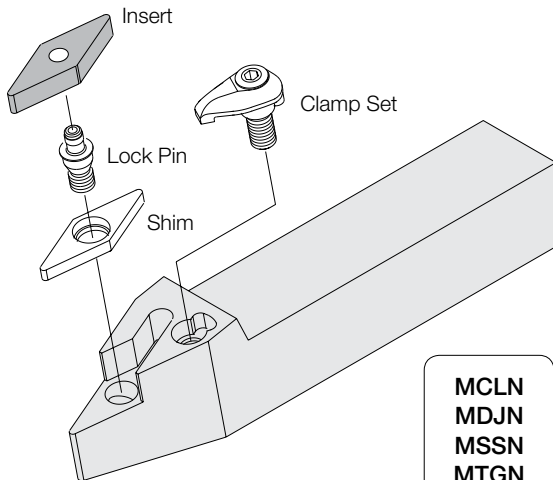
## ● Double Clamp



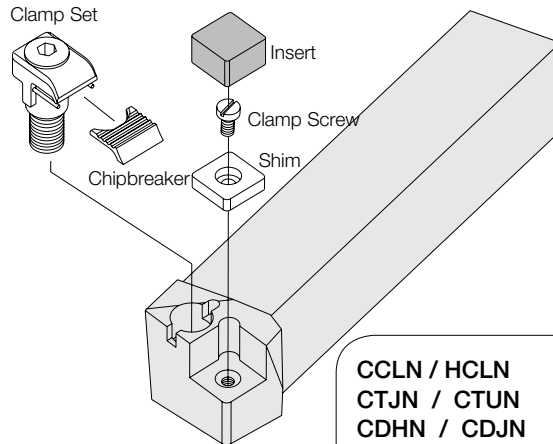
## ● Wedge Lock



## ● Multi Lock



## ● Top Clamp



\* Chipbreaker is not included with CRSN / CRDN.

GRADES	<b>A</b>
INSERTS	<b>B</b>
CBN & PCBN	<b>C</b>
TOOL HOLDERS	<b>D</b>
SMALL TOOLS	<b>E</b>
BORING	<b>F</b>
GROOVING	<b>G</b>
CUT-OFF	<b>H</b>
THREADING	<b>J</b>
HSK TOOLING	<b>N</b>
SPARE PARTS	<b>P</b>
TECHNICAL	<b>R</b>
INDEX	<b>T</b>