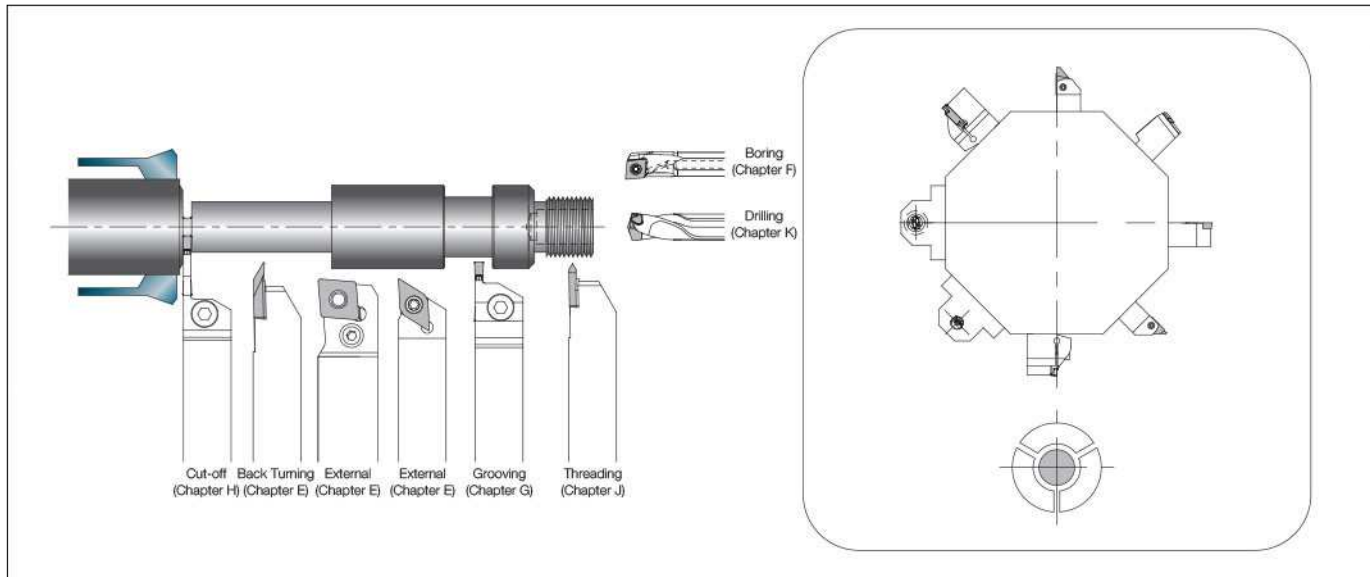


TOOLING EXAMPLES OF SMALL TOOLS

■ Tooling Example ④ CNC Automatic Lathe (Turret Type)



Automatic Lathe List by Manufacturer and Tooling Examples see page [R19](#)~ [R24](#)

GRADES	A
INSERTS	B
CBN & PCD	C
TURNING	E
BORING	F
GROOVING	G
CUT-OFF	H
THREADING	J
SOLID END MILLS	L
MILLING	M
SPARE PARTS	P
TECHNICAL	R
INDEX	T