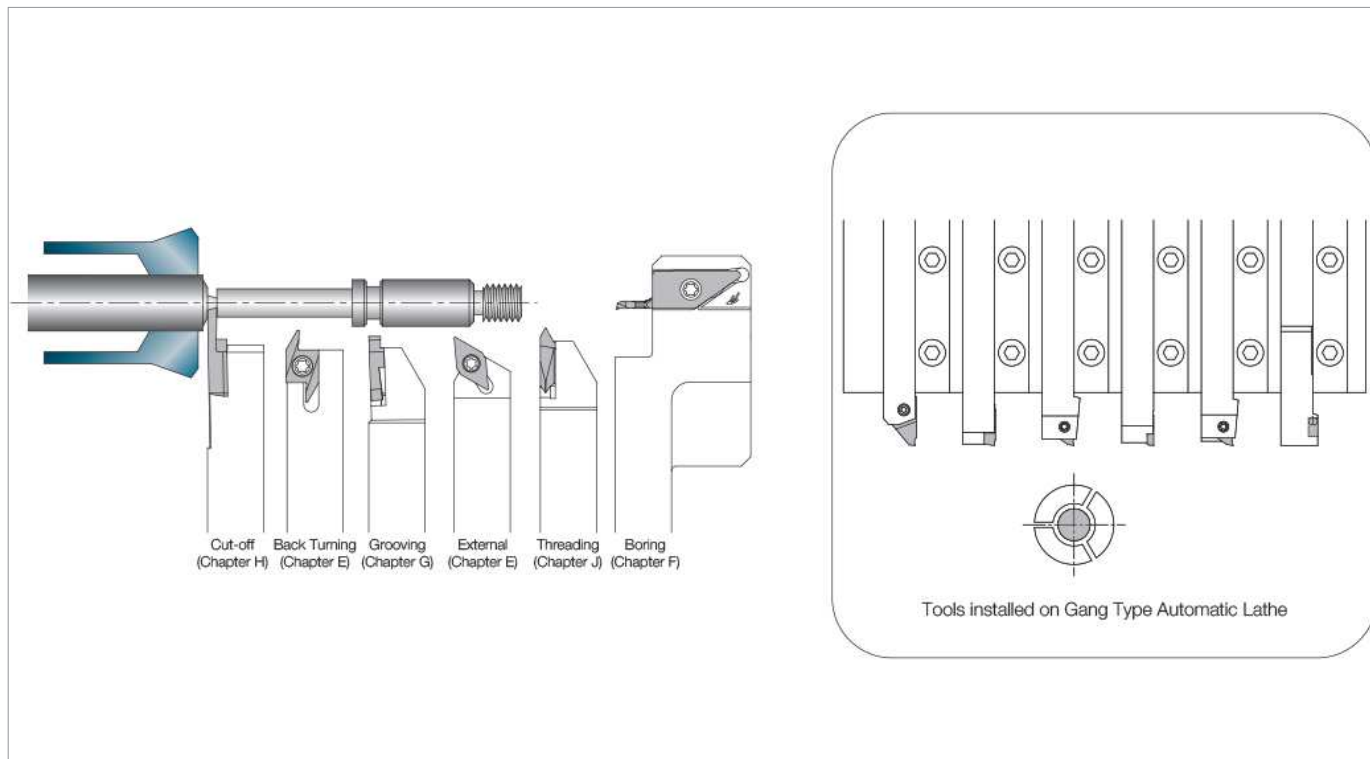
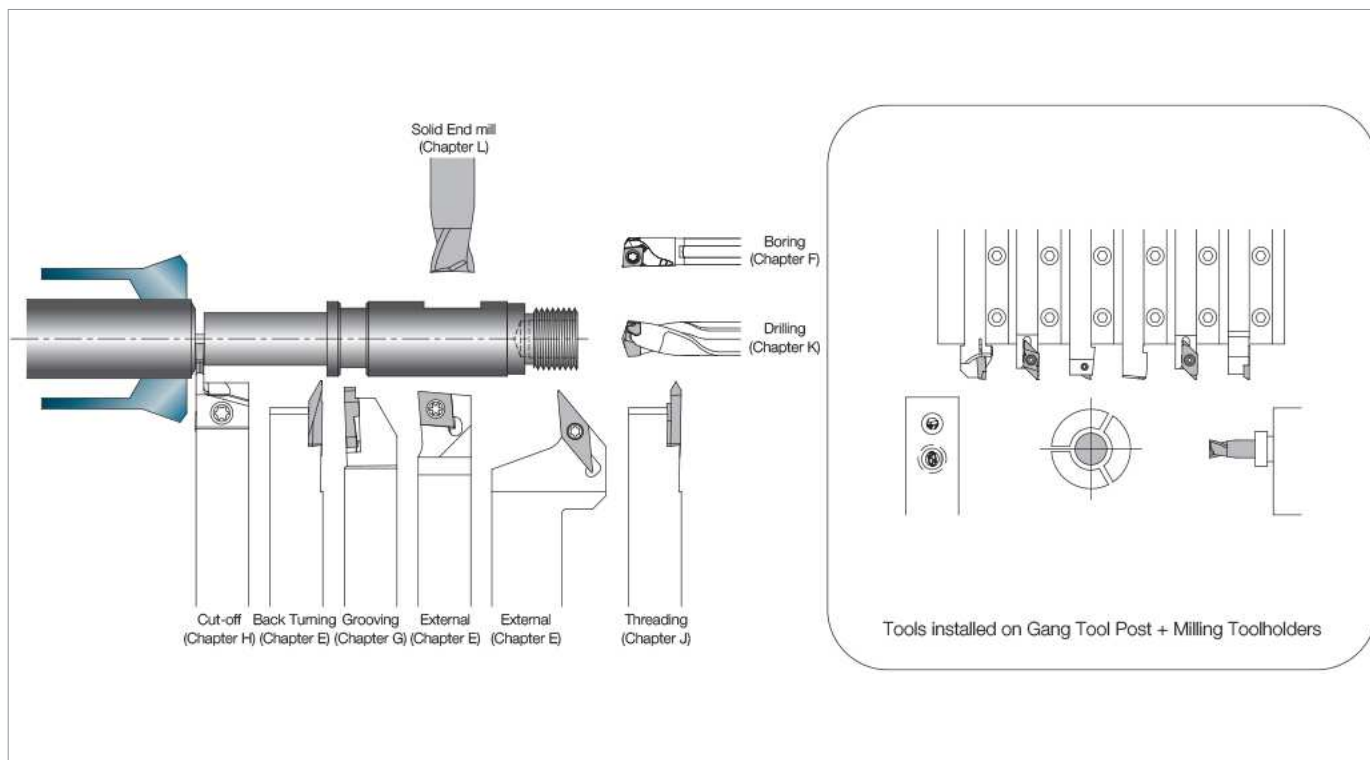


TOOLING EXAMPLES OF SMALL TOOLS

■ Tooling Example ① CNC Automatic Lathe (Gang Type)



■ Tooling Example ② CNC Automatic Lathe (Gang Type)



GRADES	A
INSERTS	B
CBN & PCD	C
TURNING	E
BORING	F
GROOVING	G
CUT-OFF	H
THREADING	J
SOLID END MILLS	L
MILLING	M
SPARE PARTS	P
TECHNICAL	R
INDEX	T